

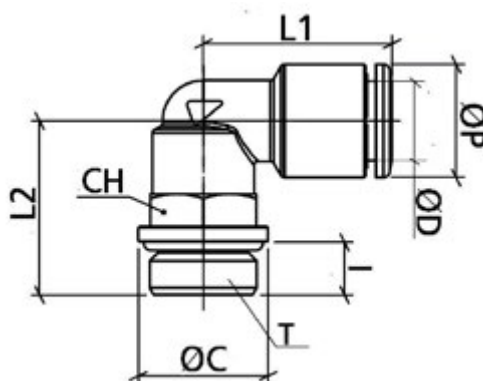
Data Sheet



Article number: 589OTRL04G02

Description: Metal Push-in fitting, elbow- $\varnothing 4$ - G1/4", w. o-ring
Type: OTRL04G02, Nickel plated brass

Measures



= 4

= G1/4"

= 10

= 16

= 6.5

= 19.5

= 21.5

= 13

Weight = 22